

4 SPECIAL DEVICES AND ACCESSORIES

Mounting Hardware for One Hole Mounting Switches

DESCRIPTION

All bushing mounted switches are furnished with two mounting nuts. One nut is mounted behind the

panel to prevent the bushing sleeve from being distorted if the front panel is overtightened. Eaton accepts no responsibility for

damage to switches mounted without the backup nuts.

MOUNTING HARDWARE SELECTION TABLE (BOLD FACE TYPE INDICATES ITEMS NORMALLY IN DISTRIBUTOR STOCK)

Size	Description	Material	Dimensions mm (inches)				Catalog Number	
			Thickness (Dim. A)	Inside Diameter (Dim. B)	O.D. or Dim. Across Flats (Dim. C)	Dim. Across Corners (Dim. D)		
MOUNTING NUTS			MOUNTING NUTS					
3/8-27	Hexagon Locknut	Nickel Plated Brass	3.18 (.125)	—	14.27 (.562)	15.88 (.625)	15-2526-2	
3/8-24		Bright Nickel Plated Brass	3.18 (.125)	—	14.27 (.562)	15.88 (.625)	15-2525-6	
11/32-32		Nickel Plated Brass	1.60 (.063)	—	12.01 (.473)	13.49 (.531)	15-2525-2	
15/32-32	Hexagon Locknut	Zinc-Chromate Treated	1.91 (.075)	—	15.88 (.625)	—	15-192	
		Bright Nickel Plated Brass	1.98 (.078)	—	13.87 (.546)	15.88 (.625)	15-2525-58	
		Nickel Plated Brass	1.98 (.078)	—	13.87 (.546)	15.88 (.625)	15-2525-59	
		Zinc-Chromate Treated	4.76 (.188)	19.89 (.783)	25.80 (1.125)	—	15-2528-2	
	Hexagon Facenut	Nickel Plated Brass	1.98 (.078)	—	14.27 (.562)	16.66 (.656)	15-966-2	
		Semi-Lustre Nickel Plated Brass	1.98 (.078)	—	14.27 (.562)	16.66 (.656)	15-966-6	
	Knurled Facenut	Bright Nickel Plated Brass	1.68 (.066)	—	14.27 (.562)	—	15-124F1	
		Black Cupric Oxide Plated Brass	1.68 (.066)	—	14.27 (.562)	—	15-124F5	
	Chamfered Dress Nut	Bright Nickel Plated Brass	Nickel Plated Brass	2.77 (.109)	—	15.88 (.625)	—	15-90
			Nickel Plated Brass	3.84 (.151)	7.92 (.312)	17.45 (.687)	—	15-994-2
Standard Knurl Nut with Shoulder	Nickel Plated Brass	Nickel Plated Brass	2.77 (.109)	—	15.06 (.593)	—	15-2534-14	
		Nickel Plated Brass	2.77 (.109)	—	15.06 (.593)	—	15-2534-14	
Dress Nut	Satin Chrome Plated Brass	Satin Chrome Plated Brass	3.18 (.125)	—	14.27 (.562)	—	15-2523-4	
		Black Nylon	4.75 (.187)	9.91 (.390)	16.26 (.640)	—	15-1048-3	
Knurled Dress Nut	Chrome Plated Brass	Chrome Plated Brass	4.75 (.187)	7.92 (.312)	16.26 (.640)	—	15-189-5	
		Chrome Plated Brass	4.75 (.187)	7.92 (.312)	16.26 (.640)	—	15-189-5	
3/4-32	Hexagon Facenut	Nickel Plated Steel	2.36 (.093)	—	23.80 (.937)	27.38 (1.078)	15-1043	
#8-40	Hexagon Locknut and Facenut	Nickel Plated Steel	1.52 (.060)	—	6.22 (.245)	5.49 (.216)	15-1047	
MOUNTING WASHERS AND LOCKING RING			MOUNTING WASHERS AND LOCKING RING					
For 9.53 (.375") Bushing	Flat Washer	Steel	0.69 (.027)	9.65 (.380)	18.29 (.720)	—	16-4183-3	
For 9.98 (.393") Bushing		Stainless Steel	1.24 (.049)	3.05 (.120)	7.14 (2.810)	—	16-4183-6	
For 15/32 Bushing	Plain Washer	Cadmium Plated Steel	0.79 (.031)	12.29 (.484)	19.05 (.750)	—	16-1382	
	Internal Tooth Lockwasher	Cadmium Plated Steel	0.53 (.021)	11.96 (.471)	15.06 (.593)	—	16-3557	
	Locking Ring	Zinc Plated Steel	1.02 (.040)	12.07 (.475)	18.24 (.718)	—	29-761-5	

Hardware items are sold for use with Eaton switches only. Minimum ordering quantity on all items is 100.

DIMENSIONS APPROXIMATE IN MM (INCHES)

HEXAGON LOCKNUTS OR FACENUTS	KNURLED FACENUT	KNURLED NUT WITH SHOULDER	CHAMFERED DRESS NUT CATALOG NO. 15-994-2	KNURLED DRESS NUT CATALOG NO. 15-189-5
KNURLED DRESS NUT CATALOG NO. 15-1048-3	DRESS NUT CATALOG NO. 15-2523-4	PLAIN WASHER	INTERNAL TOOTH LOCKWASHER	LOCKING RING

APPLICATION TABLE ❶

Switch Catalog Number	Catalog Numbers					Switch Catalog Number	Catalog Numbers				
	Locknut	Facenut	Lockwasher	Locking Ring	Terminal Screws		Locknut	Facenut	Lockwasher	Locking Ring	Terminal Screws
APPLICATION TABLE						APPLICATION TABLE					
7070-7073 7320-21	15-192 15-192	15-124F1 15-966-2	— —	— —	811-2 811-14	8130-8166 8194	— —	— —	— —	— —	811-2 11-1766
7300-7317 7360-61 7402	— 15-192 15-192	15-966-6 15-966-2 15-966-2	— — —	— — —	811-2 811-161 11-1766	8261-62 8280, 90, 95 8282, 83, 92, 97	— 15-192 15-192	15-966-6 15-124F1 15-124F1	16-886 — —	— — —	— 11-26 11-26
7500-7510 7546-7548 7560-71 7576	15-192 15-192 15-192 15-192	15-124F1 15-124F1 15-124F1 15-124F1	— — — —	— — — —	811-2 811-2 811-2 11-1369	8307 8337 8370-75	— — 15-192	— — 15-124F1	— — —	— — —	11-26 811-161 11-26
7580-87 7590-97,99 7630-32 7660-7670 7690-95	15-192 15-192 15-192 — 15-192	15-124F1 15-124F1 15-124F1 15-966-2 15-124F1	— — — 16-886 —	— — — 29-761 —	811-2 811-2 811-2 11-1893 811-2	8381-82,86,91,96 8406 8410 8411, 18	15-192 — — 15-192	15-124F1 — — 15-966-2	— — — —	— — — —	11-26 11-26 811-7206 811-7206
7700-05 7800-7805 7810 7811 7812-7813	15-192 15-192 — — —	15-966-2 15-124F1 — — —	— — — — —	— — — — —	811-2 811-2 11-6106 11-6074-4 11-6074-11	8432-35 8440 8442-45 8448	15-192 15-192 15-192 15-192	15-124F1 15-124F1 15-124F1 15-966-2	— — — —	— — — —	811-2 11-26 811-2 811-2
7814-16 7818 7835-36 7842K2, K3	— — 15-192 15-2525-58	15-1043 — 15-124F1 —	— — — —	— — — —	11-6100 11-6074-4 — 11-6085-2	8690	15-192	15-966-2	—	—	811-7248
7846 7990-92 8004-05	15-2525-59 15-192 —	— 15-966-2 —	— — —	— — —	— 811-2 811-2	8800-8860 8928K478-482 8928K492-495	— 15-192 15-192	15-966-6 15-124F1 15-994-2	16-886 — —	29-761 — —	11-1893 11-26 —
8054-8057	—	—	—	—	811-2	8980 SA37	— 15-192	— —	— —	— —	❷ —

❶ The Application Table lists the original equipment hardware supplied.
 ❷ Contact Customer Service Center. See back cover.


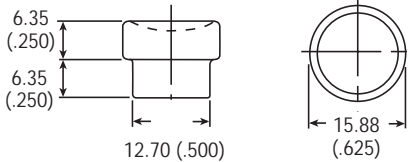
Snap-On Pushbutton Caps — Standard

DESCRIPTION

These snap-on pushbutton caps are made of molded plastic for use with grooved style switches. They are ordered separately for user assembly.

SELECTION TABLE

Description	Button Diameter mm (inches)	Catalog Number
Black Molded	15.88 (.625)	53-3338
Red Molded	15.88 (.625)	53-3338-2

CAT. NO. 35-3338	CAT. NO. 53-3338-2
	

4 SPECIAL DEVICES AND ACCESSORIES

Rotary Keylock Brackets — Security Tumbler Type

DESCRIPTION

This series of rotary keylock is designed for use in security applications. They provide a simple method of converting 1 and 2 pole toggle switches. For use with 2 or 3 position switches.

SPECIFICATIONS

Bushing:

7/8" Dia., 24 threads/inch.

Mounting Hardware and Keys:

1 hexagon locknut (Cat. No. 15-2528-2) and 1 bright chrome plated dress nut (Cat. No. 15-2528-2). Furnished unassembled. Plus 2 keys (Cat. No. 13-8171).

Finish:

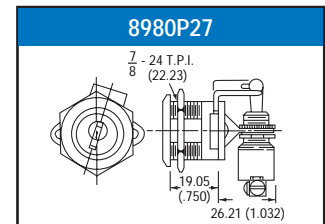
Lock Bushing — Diecast zinc.

Lock Barrel and Dress Nut — Chrome plated brass.

Keys — Brass.

KEYS SELECTION TABLE

Where Used	Catalog No.
Key removable in counter-clockwise position	8980P25
Key removable in center position	8980P26
Key removable in clockwise position	8980P27
Key removable in either extreme position	8980P28



Keys For Locking Switches

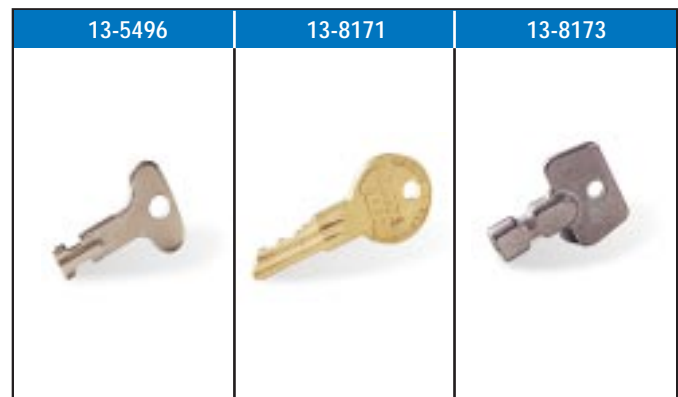
DESCRIPTION

Additional keys may be ordered from the table below.

Key styles below match those listed for specific switches in the keylock section on pages 4.14.

KEYS SELECTION TABLE

Where Used	Catalog No.
General Purpose & Heavy Duty Series	13-5496
Security Locking Bracket	13-8171
Heavy Duty Series	13-8173



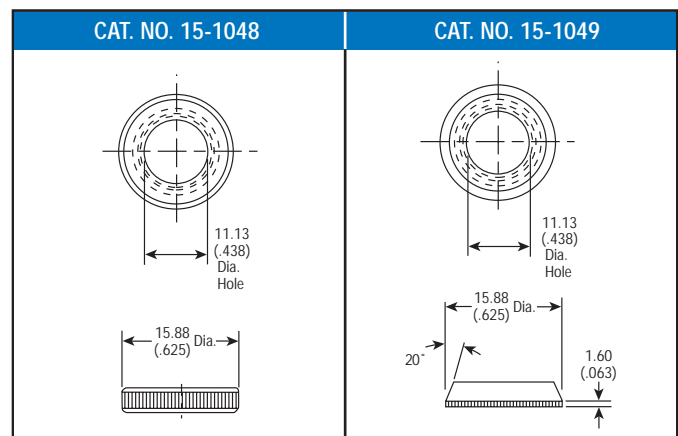
Decorator Facenuts

SELECTION TABLE 1

Type	Color	Catalog Number
Knurled Facenuts	Black	15-1048-3
	Brite Clear	15-1048-7
Beveled Facenuts	Brite Black	15-1049-3
	Brite Clear	15-1049-7

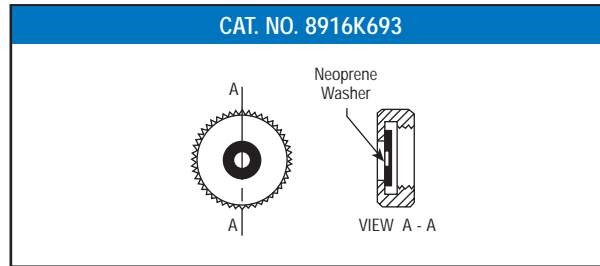
1 Decorator Facenuts for designer line and 15/32" bushing switches, 15/32-32 thread.

DIMENSIONS APPROXIMATE IN MM (INCHES)



Dust Protection Cap Nut Assembly

The dust protection assembly (Cat. No. 8916K693) consists of neoprene washer and cap nut. It is recommended for use with tool handle switches that have a 15/32" bushing (Cat. No. 7320-7322, 7360-7361).



Replacement Terminal Screws

SELECTION TABLE ❶

Screw Size	Catalog Number ❶
#5-40 x 1/8"	11-1117
#5-40 x 5/32"	11-26
#5-40 x 3/16" Binding Head	811-7206
#5-40 x 1/4" Binding Head	811-14
#6-32 x 3/16" Binding Head	811-2
#6-32 x 1/4" Binding Head	811-161
#6-32 x 1/4" Binding Head	811-7248
#6-32 x 1/4" Pan Head — Brass	11-1893
#6-32 x 3/8" Binding Head	811-129
#8-32 x 3/16" Binding Head	11-1618
#8-32 x 1/4"	11-1369
#8-32 x 1/4"	811-408-2
#8-32 x 3/8" Binding Head	11-1766
#8-32 x 3/8" Binding Head	11-6074-4
#6-32 x 7/32" Binding Head	11-6085-2

❶ Hardware items are sold for use with Eaton Switches only.

Indicating Plates

SELECTION TABLE ❶

Keyway Location	Marking		Material	Finish	Catalog Number
	Opposite Keyway	Keyway Side			
	ON	OFF	.320" Steel	Burnished Nickel	30-5632-4
	ON	OFF	.032" Steel	Burnished Nickel	30-5632-13

❶ Indicating plates for 15/32" bushing mounted switches.

Panel Seal

- Prevents moisture and contaminants from entering panel enclosure.
- Behind panel mounting.
- Stainless steel cup washer assures proper seating of silicone rubber seal.
- Seal withstands 20 psi water pressure.
- Cat. No. 32-341.

